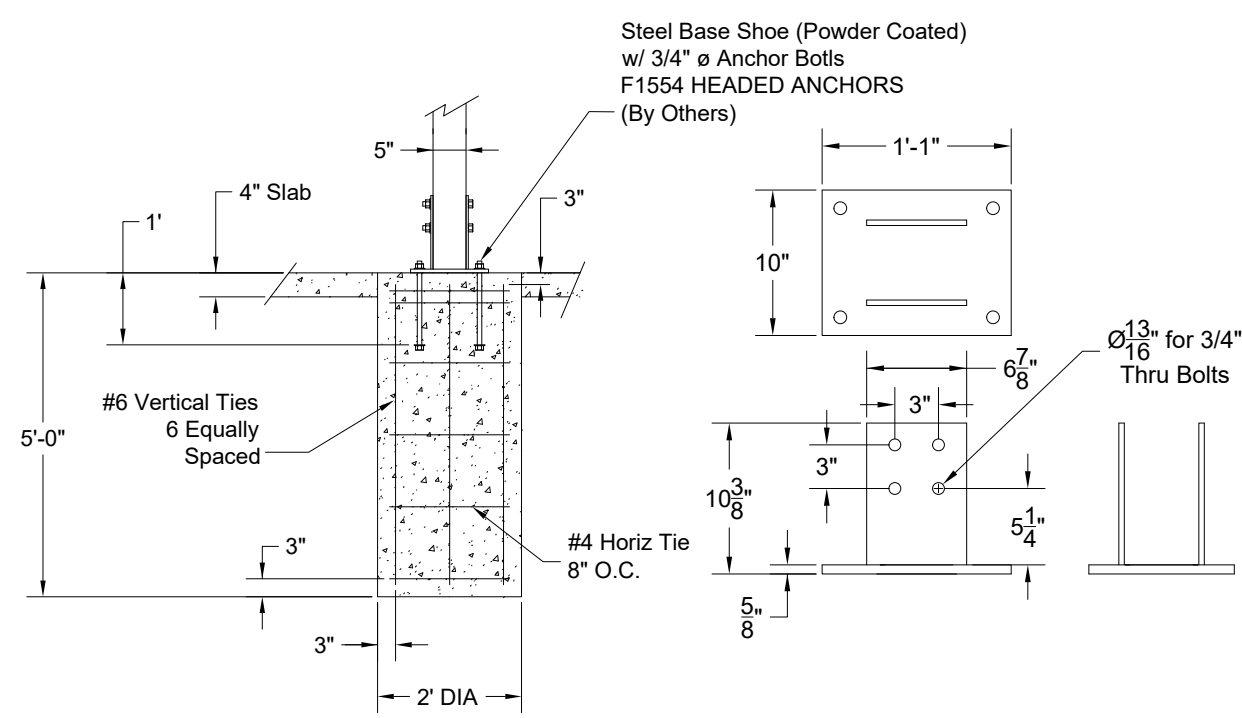
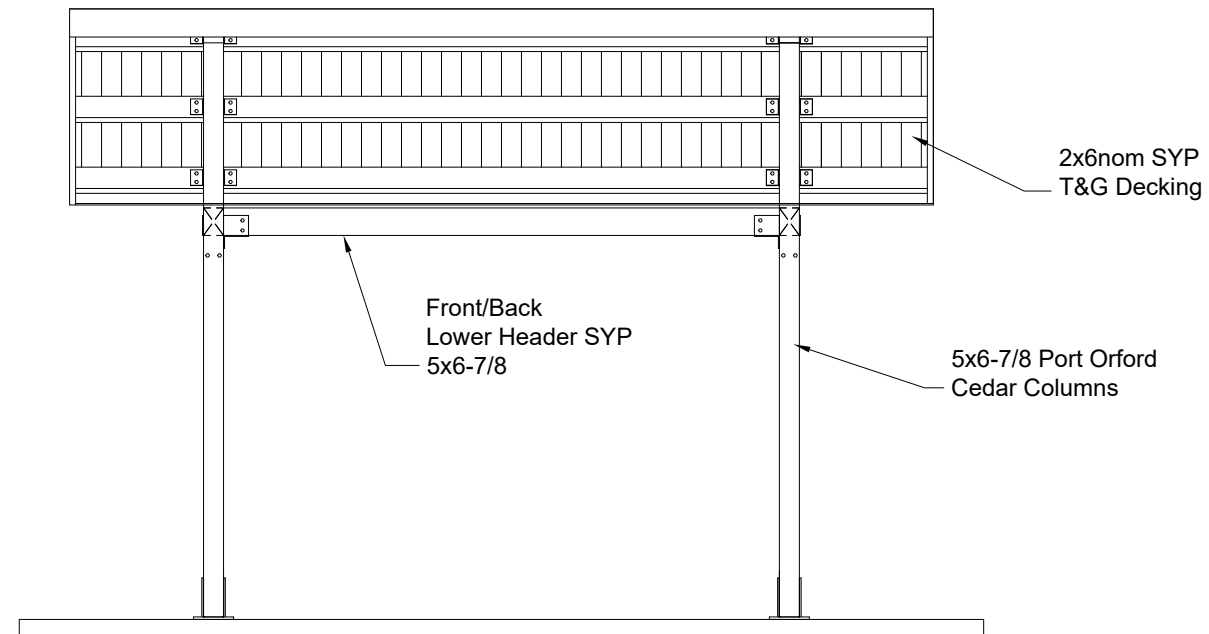
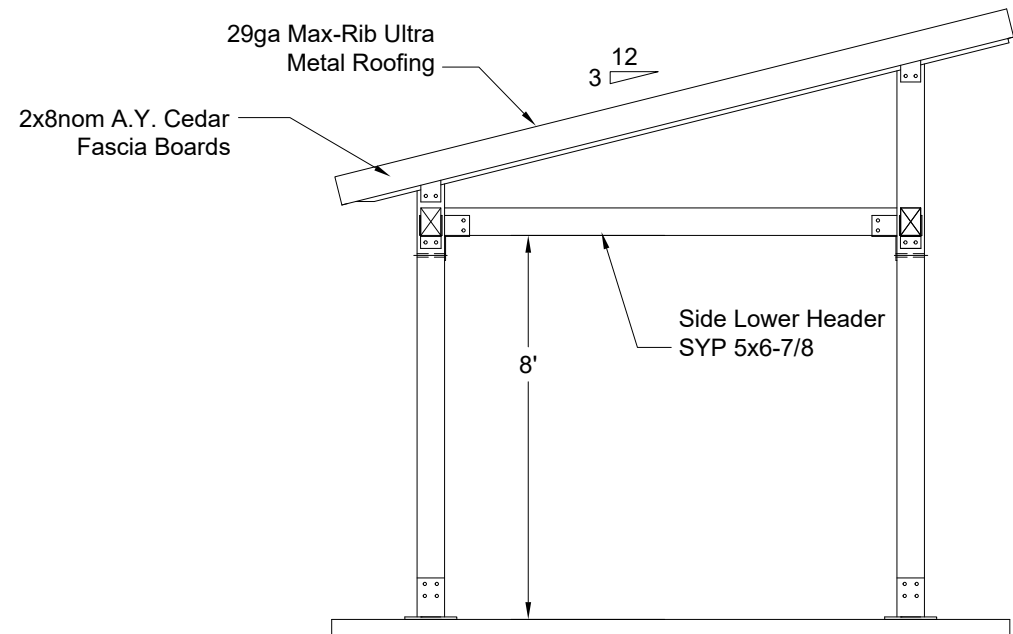
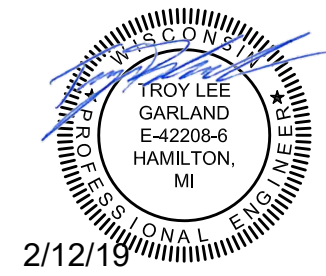
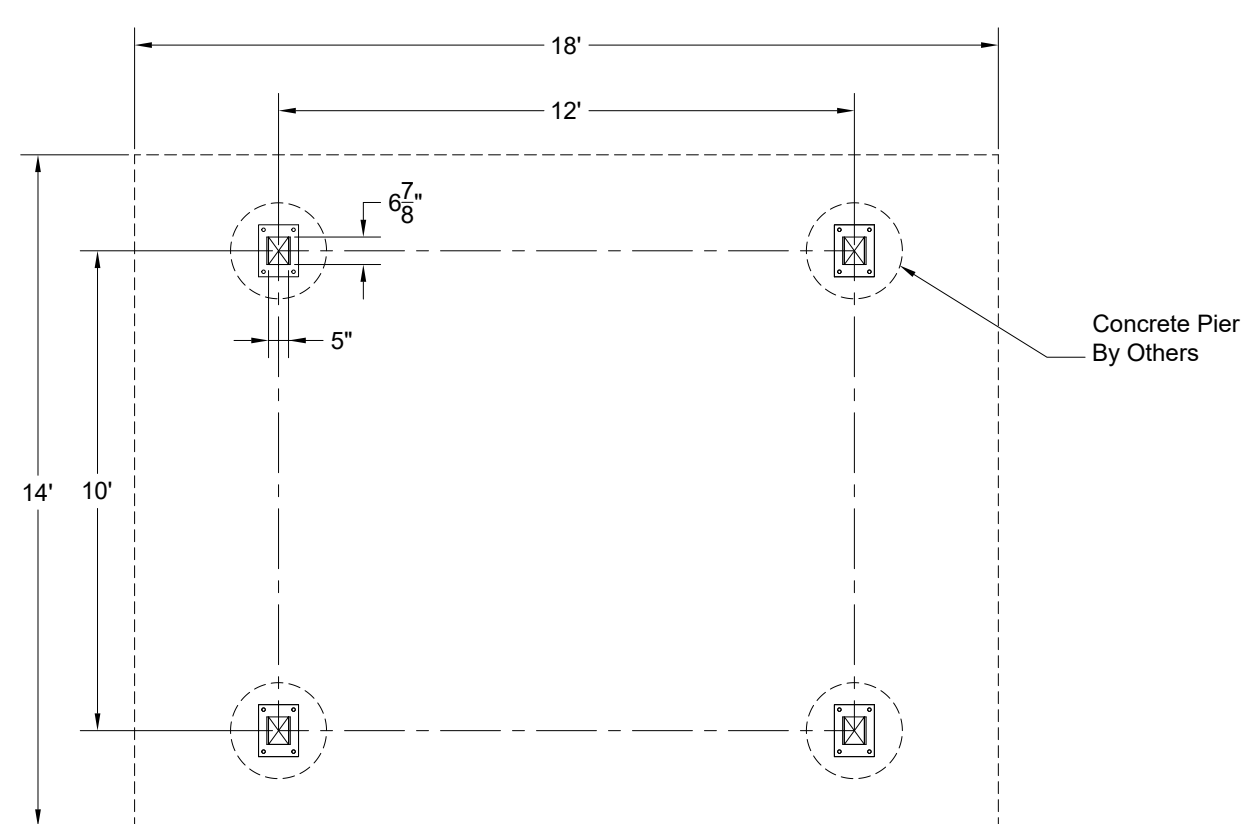


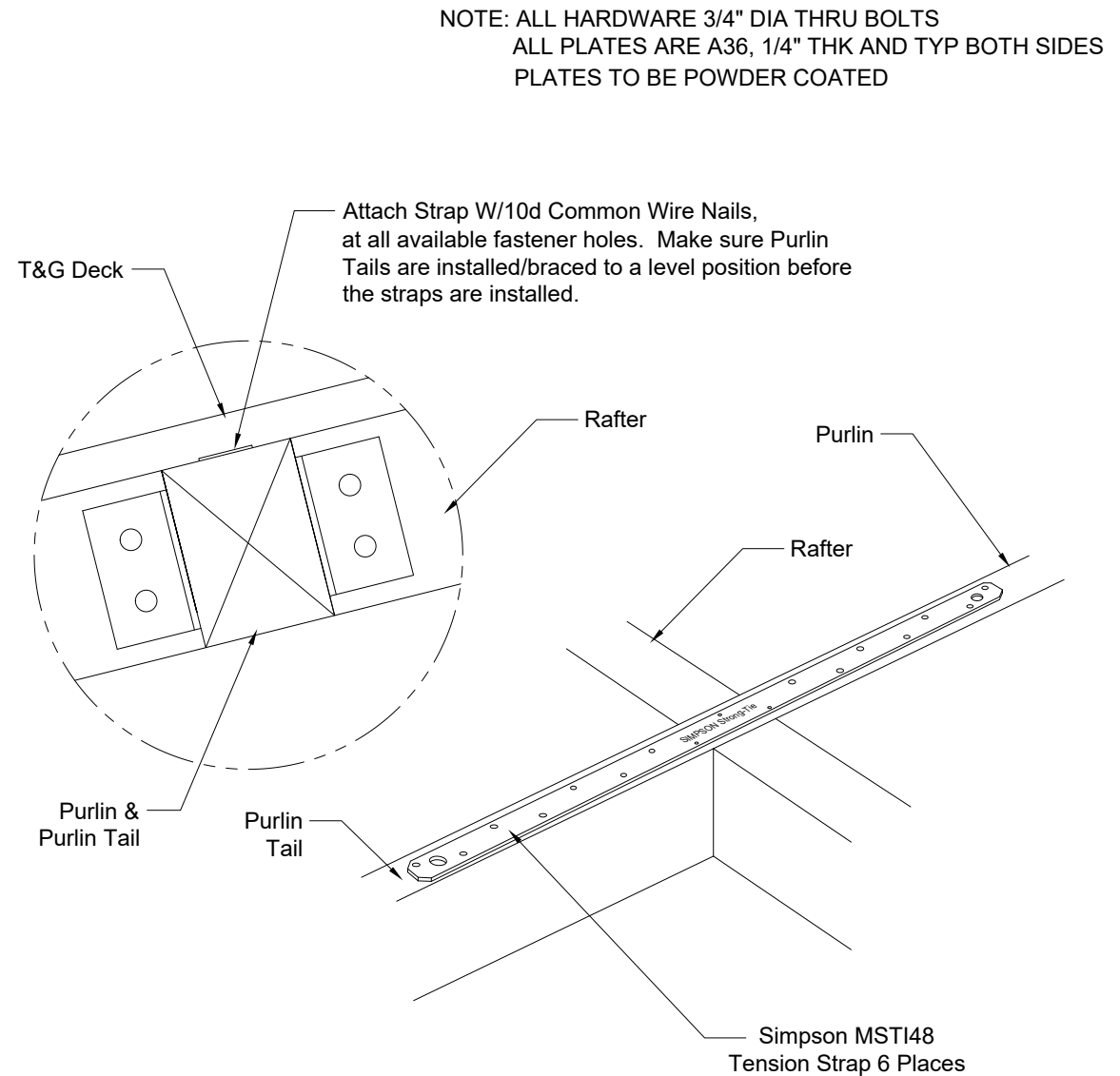
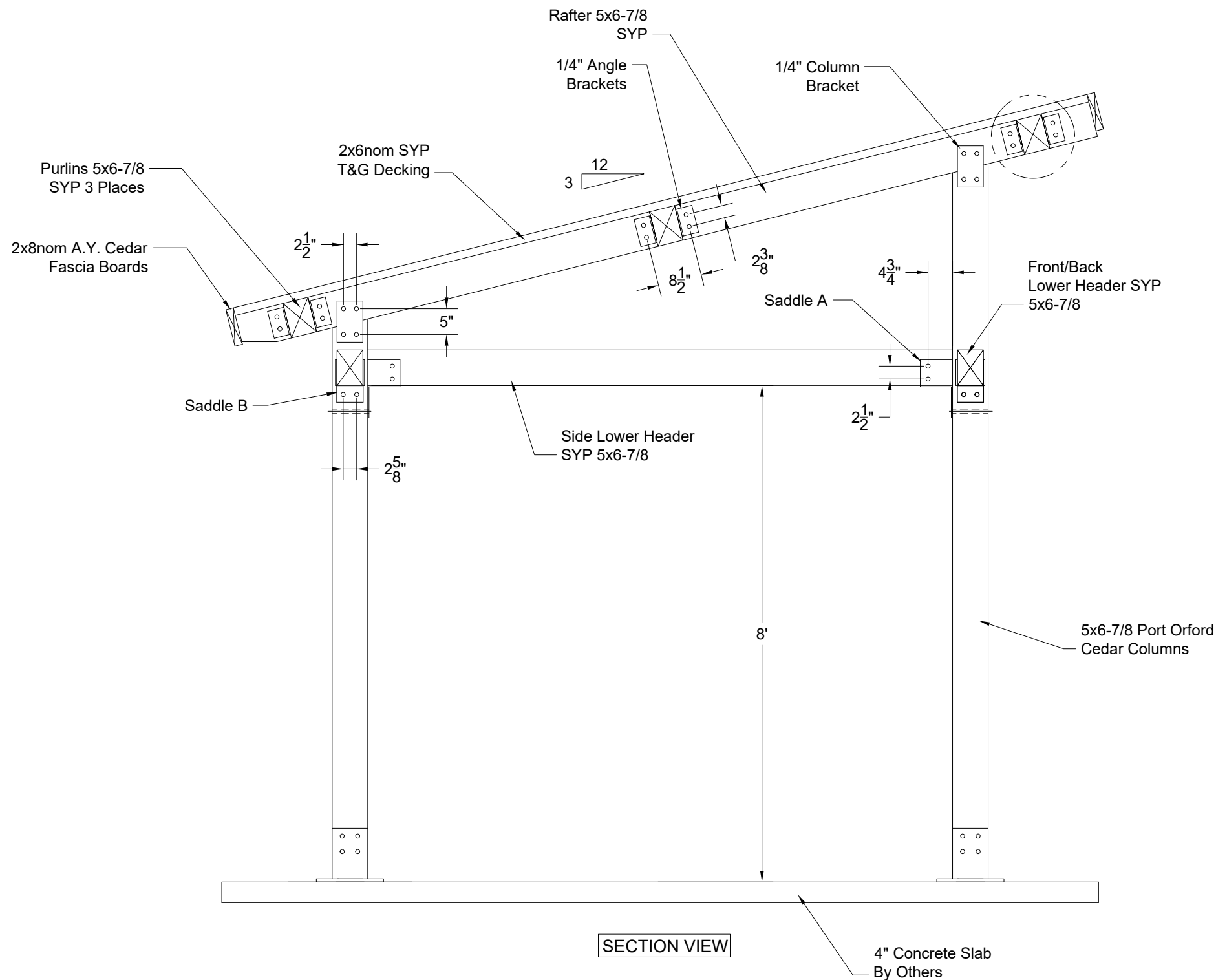
SCALE: 1/4" = 1'



Column/Footing Detail  
Concrete Pier By Others  
NTS

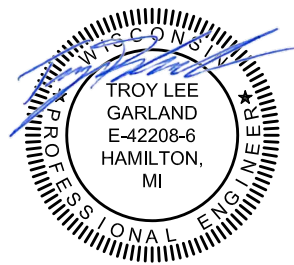


SCALE: 1/8" = 1'

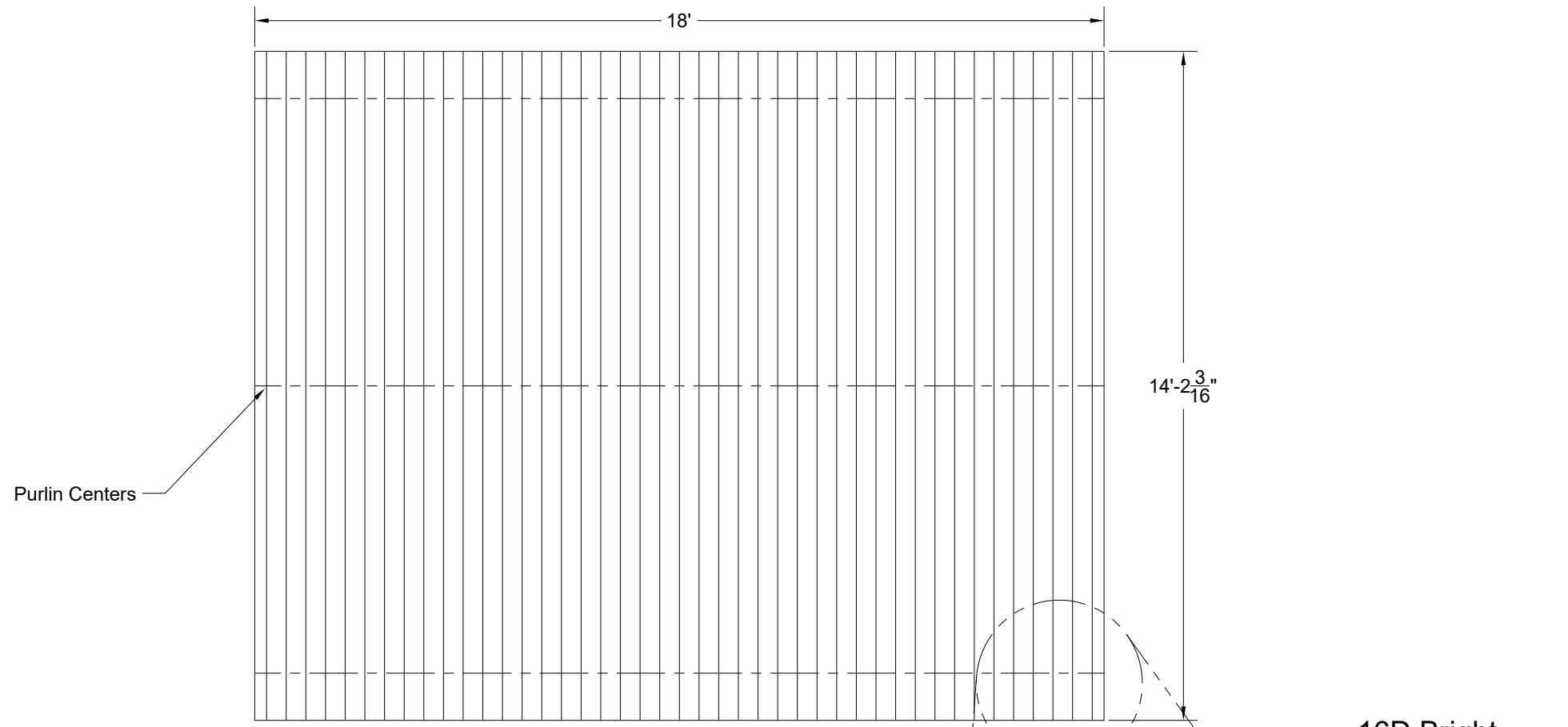


NOTE: ALL HARDWARE 3/4" DIA THRU BOLTS  
ALL PLATES ARE A36, 1/4" THK AND TYP BOTH SIDES  
PLATES TO BE POWDER COATED

SECTION VIEW

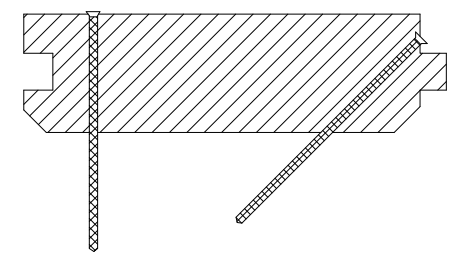


SCALE: NTS

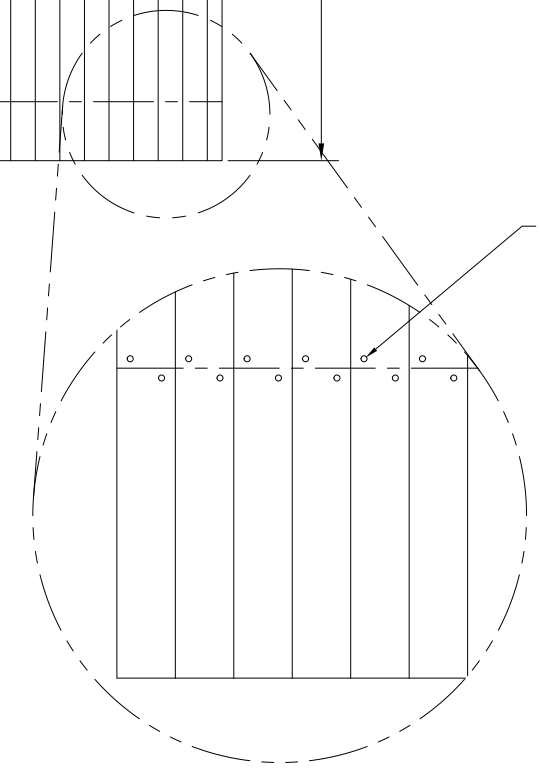


Purlin Centers

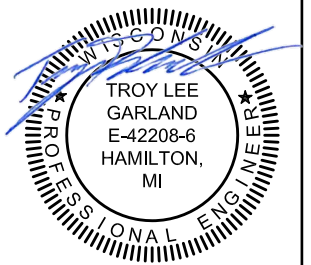
16D Bright Common Nails



EACH PIECE SHALL BE FACE NAILED AND TOENAILED THROUGH THE TONGUE



Attach T&G Deck to Lam Beam w/ 16D Nails, 2 per Board every time the T&G Crosses a Lam Beam



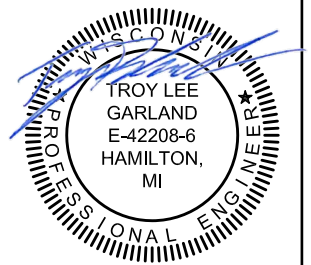
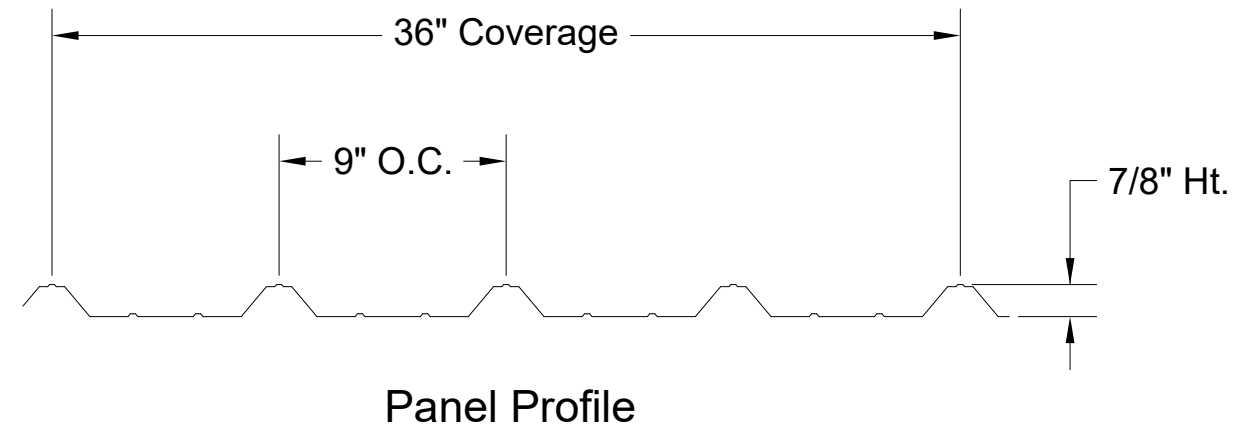
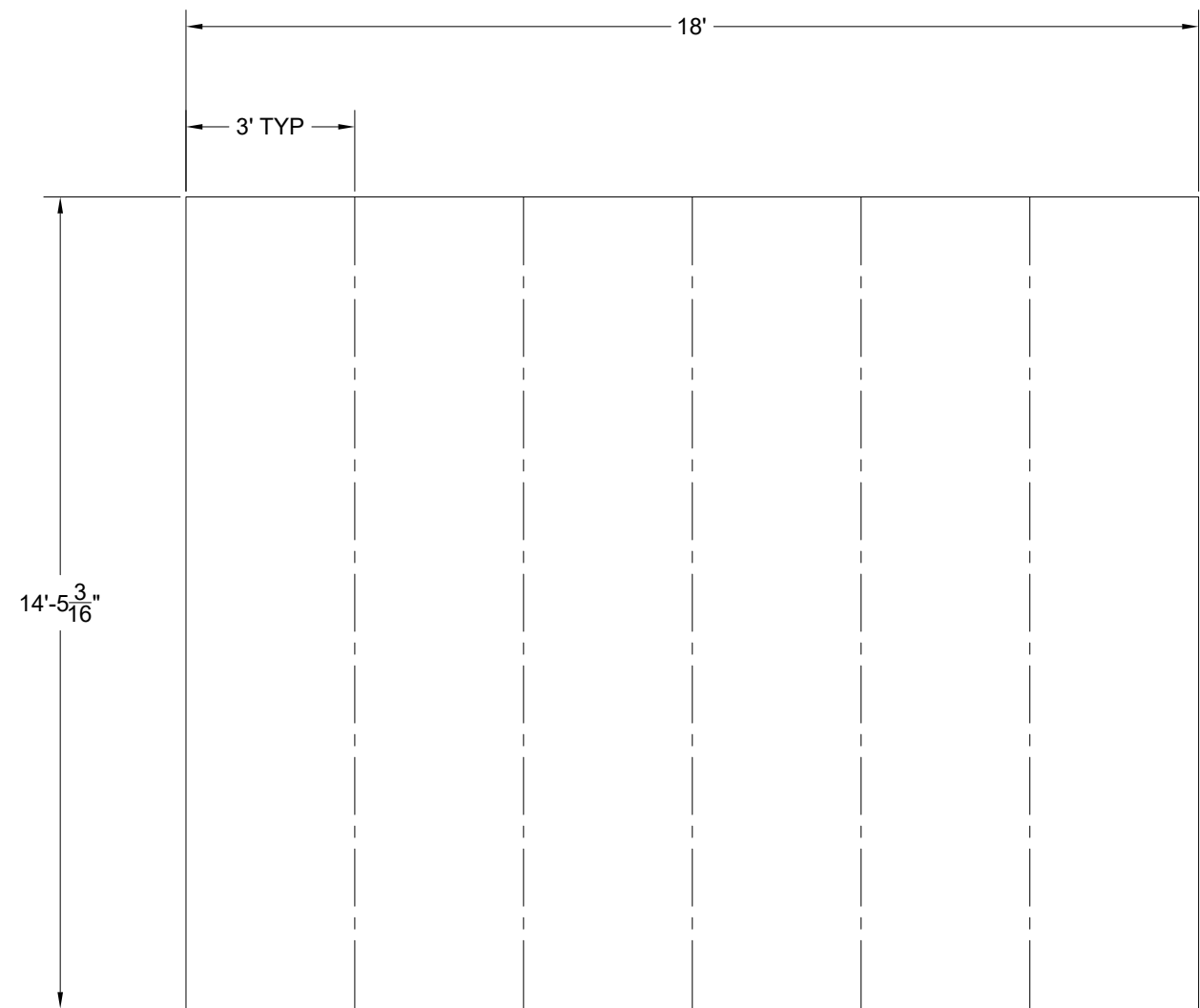
P.O. BOX 145  
 WEST OLIVE, MI 49460  
 800-552-9495  
 WWW.CEDARFORESTPRODUCTS.COM

© Copyright 2018 these drawings are the intellectual property of C.F.P. CO. and shall not be copied or disclosed to any unauthorized parties in part or its entirety without our written permission, and they shall not be used for construction unless approved by a C.F.P. Representative.

\*\*Structure Erection: Installation of this structure is to be done with a competent supervisor in the construction trades. This supervisor must be capable of reading the drawing(s) & following Cedar Forest Products' installation instructions using good construction practices and procedures. The contractor will be required to shim, cut and make adjustments of fitting for proper building erection.

MODEL NUMBER:	MSW1418C	SHOWN WITH SELECTED OPTIONS	REVISION DATES	DRAWN BY:	DATE:
DESCRIPTION:	14x18 Wood Monoslope - Custom		REV:	JES-523B	1-31-19
Project Details:	Project Name: St. Croix County Sales Rep: Minn/Wisc Playground Site Location: Glenwood City, WI 54013		REV:	PRJ #: 3387	
			REV:	PG: 3 OF 5	

SCALE: NTS



SCALE: NTS

**MONOSLOPE METAL ROOFING OVER WOOD DECKING**

Once roof decking is installed per decking sequence lay 30# felt over decking (per manufactures suggestions).

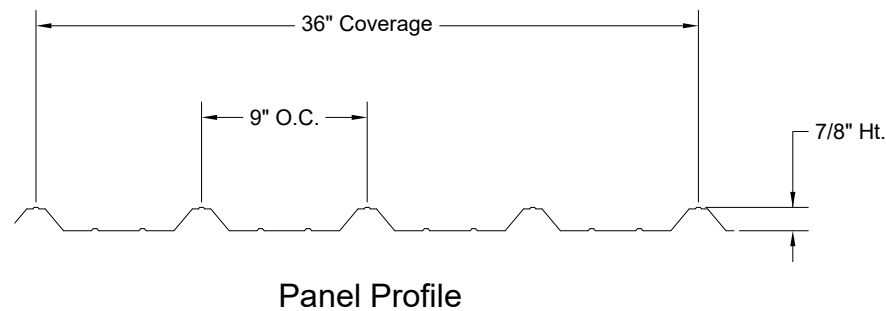
Then temporarily attach the eave/rake trim to decking using tape, not provided. Now it's time to start installing metal roof panels.

NOTE: BEFORE PERMANENTLY ATTACHING METAL PANELS, CHECK FOR SQUARENESS OF PANELS IN RELATIONSHIP TO THE SHELTER.

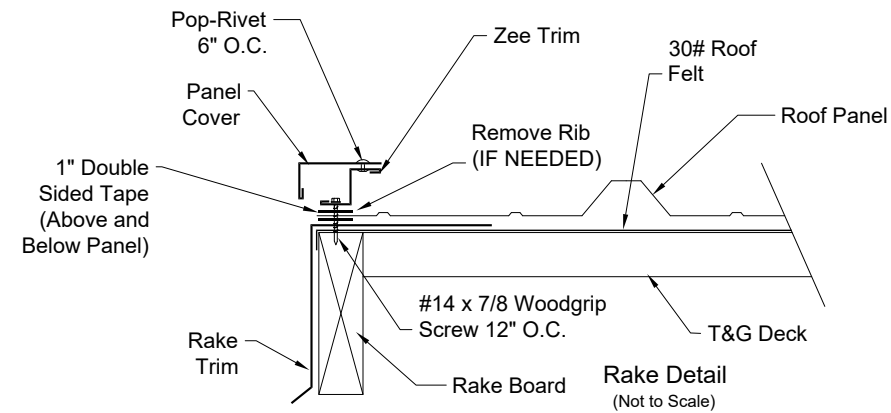
Start in left corner, place first panel, see panel layout, male rib should be to the right. (Female rib on the left may need to be removed for proper attachment of Zee trim, see details) Panel should be in line with the fascia board and the rake board. Attach the panel per the screw schedule. Overlap the next panel, female rib over the male rib. Attach per the screw schedule. Repeat until all panels are installed.

Attach Zee Trim to Rakes, see details.  
 Attach the Panel cover along the eave lines, see details.  
 Attach the Panel cover along the rake lines, see details.

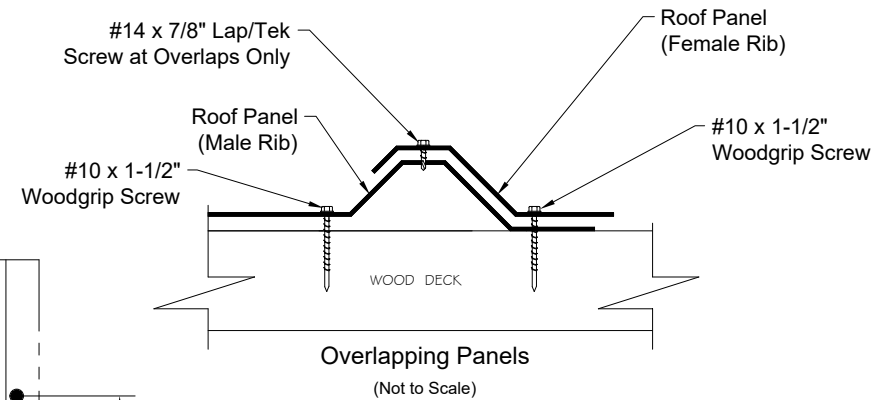
DO NOT USE IMPACT TOOLS ON WOOD SCREWS (SCREW GUN IS RECOMMENDED)



Panel Profile

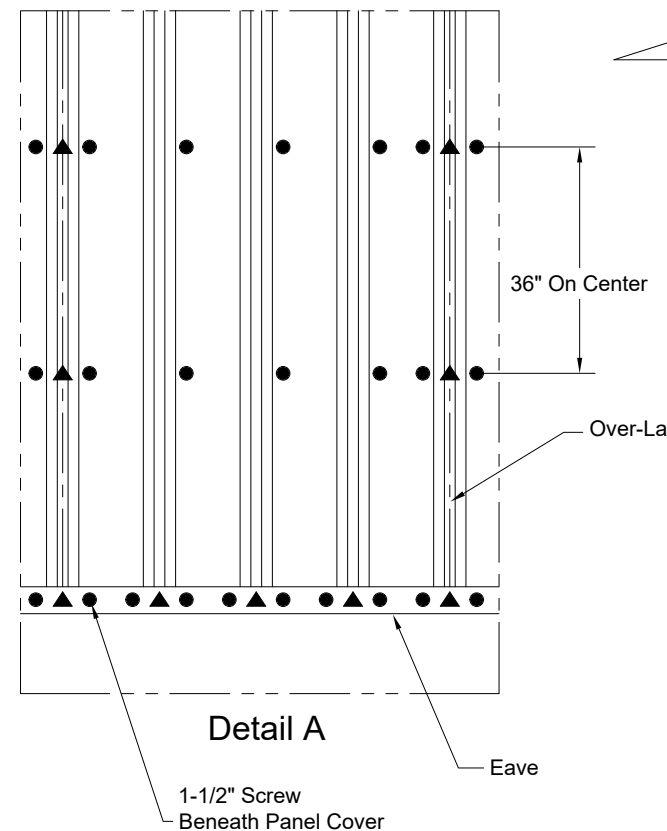


Rake Detail (Not to Scale)

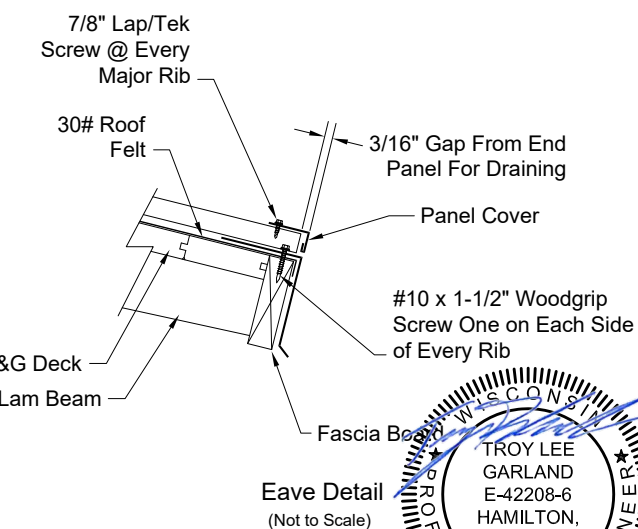


Overlapping Panels (Not to Scale)

**Screw Schedule**

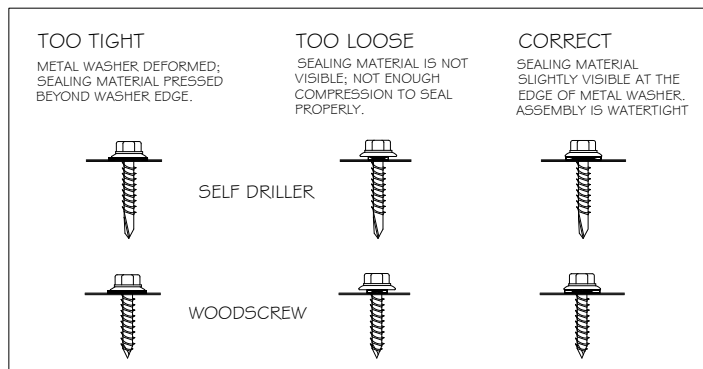


Detail A

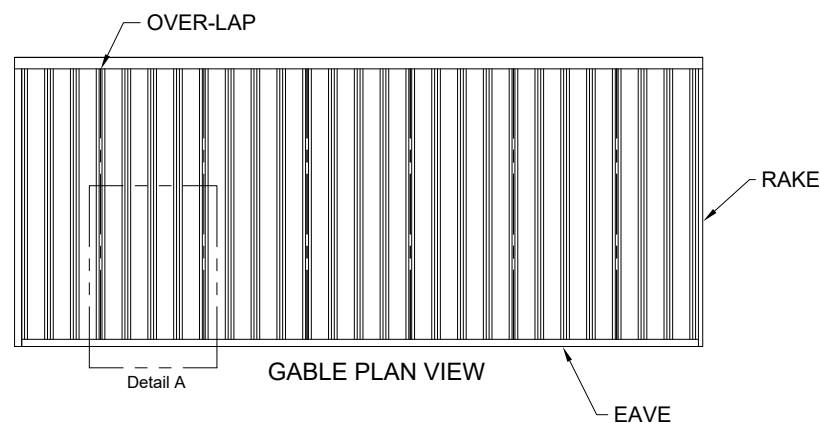


Eave Detail (Not to Scale)

**PROPER SCREW ENGAGEMENT**



- 1-1/2" PAINTED WOOD SCREW
- # 1/4 X 7/8" STITCH SCREW



GABLE PLAN VIEW

