



COOK



MARK: SF-1

PROJECT: ST CROIX 300 CFM SUPPLY FAN WITH FILT...

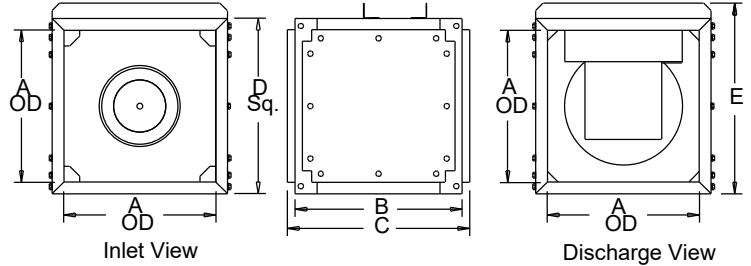
DATE: 2/9/2022

SQN-D

Centrifugal Square Inline Direct Drive

STANDARD CONSTRUCTION FEATURES:

- All aluminum wheel - Galvanized steel housing - Three removable access doors - Closed cell neoprene gasketing - Inlet and discharge duct collars - Universal mounting feet - Permanently lubricated motor - Transit tested packaging.



Performance

Qty	Catalog Number	Flow (CFM)	SP (inwc)	Fan RPM	Input Watts	FEG	FEI	Speed Control
1	90SQN10D	300	.250	1315	100	n/a(<1HP)	1.34	FSC

Altitude (ft): 837 Temperature (F): 70

Motor Information

HP	RPM	Volts/Ph/Hz	Enclosure	TOL
1/6	1050	115/1/60	TENV -SE	Yes

Sound Data Sound Power by Octave Band

	1	2	3	4	5	6	7	8	LwA	dBA	Sones
Inlet	62	65	65	59	52	47	42	35	60	49	4.9
Outlet	77	66	68	58	54	50	43	35	62	51	6.0

Accessories:

- DISCONNECT NEMA 1 PRE-WIRED
- INSULATED HOUSING
- FILTER BOX W/MERV 8
- FAN SPEED CONTROLLER 5A 120V PREWIRED
- RC-75 SET(4) - ISOLATORS

Dimensions (inches)

A	12
B	15
C	17
D Sq.	14
E	15-9/16

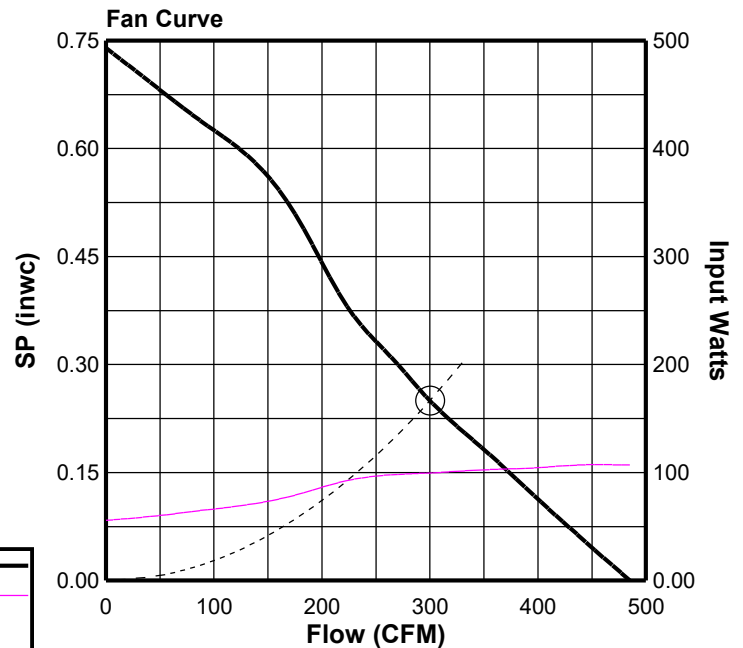
NOTE: Accessories may affect dimensions shown.

Weight(lbs)***	Shipping	89	Unit	35
----------------	----------	----	------	----

***Includes fan, motor & accessories.

Fan Curve Legend

CFM vs SP	—
CFM vs Watts	—
Point of Operation	○
System Curve	- - -





COOK

PROJECT: ST CROIX 300 CFM SUPPLY FAN WITH FILT...

DATE: 2/9/2022

FILTER BOX

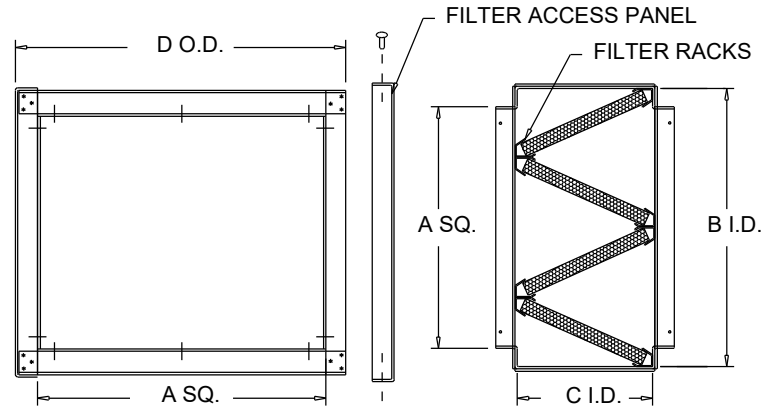
SQN/SQN-HP

STANDARD CONSTRUCTION FEATURES:

Galvanized steel housing - Removable access panel - Closed cell neoprene gasket added where filter contacts housing for a more positive seal - Integral duct collars - Washable 2 inch aluminum filters.

Options:

Standard size MERV 8 filters are also available. - Lorenized coating.



Dimensions (inches)

Mark	Qty	Description	A SQ.	B	C	D	Filter Information
SF-1	1	FILTER BOX W/MERV 8	12-1/4	14-1/4	22-1/2	15-5/8	(1)16x25x2



FSC

Fan Speed Controls

STANDARD CONSTRUCTION FEATURES:

PRODUCT DESCRIPTION - Through the "Quadrac" integrated semi-conductor device it is now possible to offer this system with many advantages. Fewer semi-conductor parts mean greater reliability and the passivation process used in the manufacture of the semi-conductor insures long life.

Printed circuit construction eliminates wiring difficulties and guarantees workmanship.

All of these factors serve to offer the most important of all features - quality.

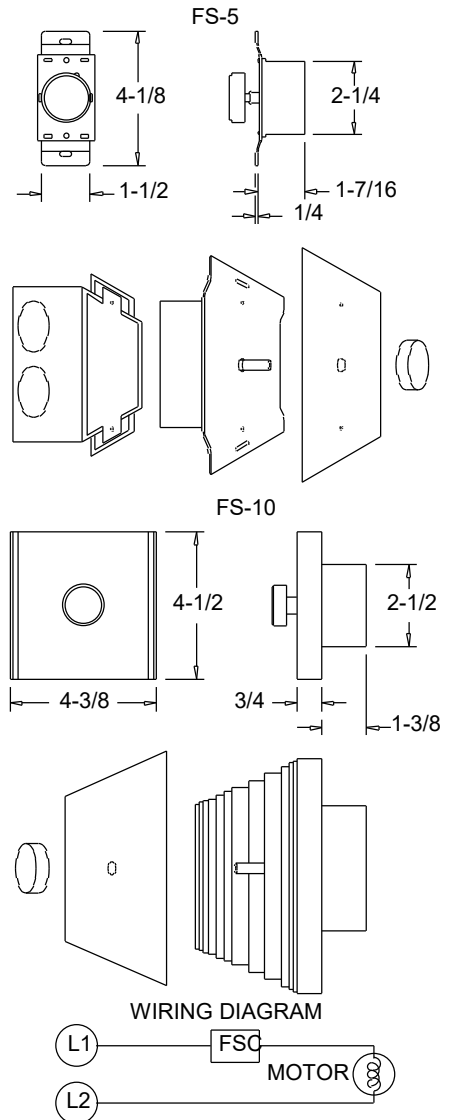
SPEED CONTROL - Positive Off/On action in the control dial. Speed range set to the customer's requirements. **CONTROL RATING** - 120 volts, 60 cycles, 1 phase. Maximum ambient temperature - 120 degree F (5 AMP, 10 AMP, 15 AMP). 220/240 volt, 50/60 cycles, 1 phase. Maximum ambient temperature - 120 degree F (5 AMP, 10 AMP). 220/240 volt model not UL listed. Fan cannot have UL listing if furnished with prewired 220/240 volt FSC. 277 volt, 60 cycles, 1 phase.

Maximum ambient temperature - 120 degree F (5 AMP). **WARNING** - Power must be turned off before installing this unit. **STANDARD INSTALLATION** - Fits any standard single gang box.

Turn off power and connect the two wires on the control to the two switch wires in the usual manner. The connection box is not supplied. **SPECIAL FEATURES** - Complete range control, solid state "Quadrac" integrated circuitry, solid state construction for long reliable operating life, saves on electric bills.

Dimensions (inches)

Mark	Qty	Description
SF-1	1	FSC 5A 120V PREWIRED





COOK

PROJECT: ST CROIX 300 CFM SUPPLY FAN WITH FILT...

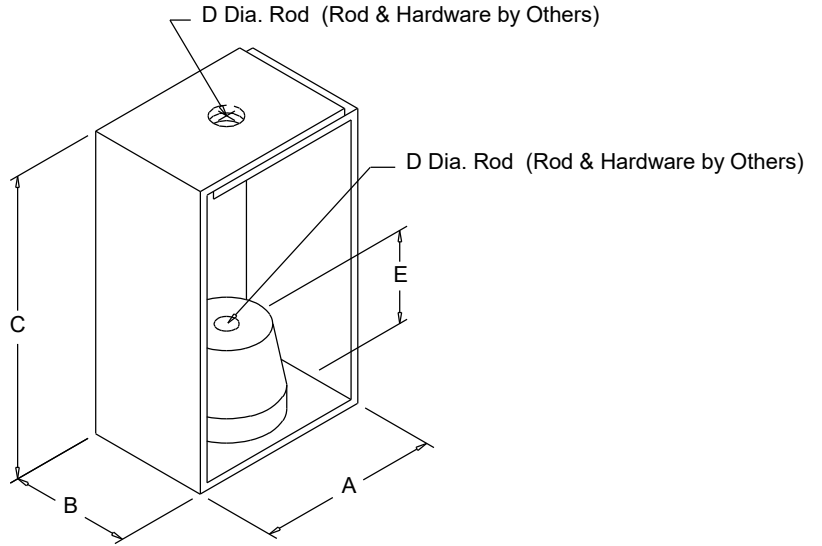
DATE: 2/9/2022

RIS CEILING

Rubber-In-Shear
Isolator
Ceiling Mounted

NOTE:

Dimensions are for informational
purposes only - Not for construction.



Dimensions (inches)

Mark	Qty	Description	A	B	C	D	E
SF-1	1	RC-75 SET(4)	2.15	1.50	2.72	0.38	0.45