

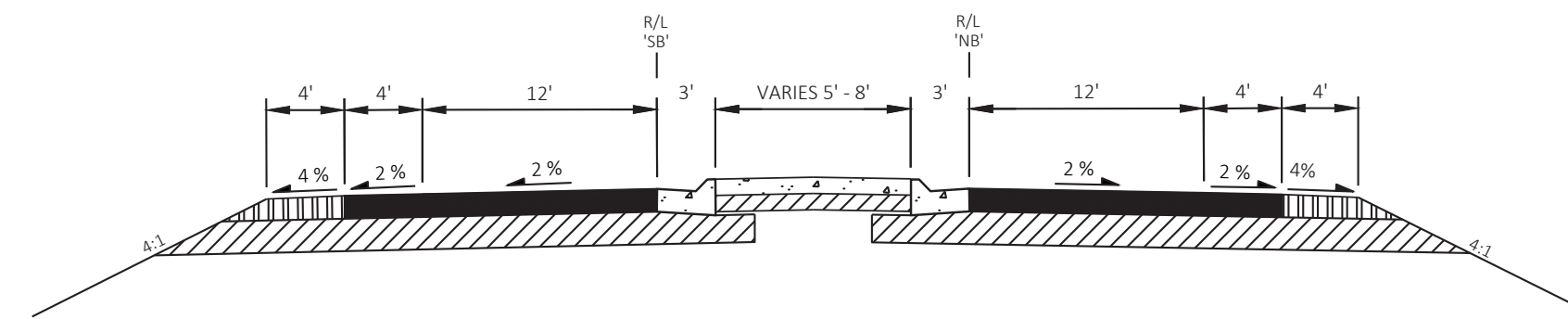
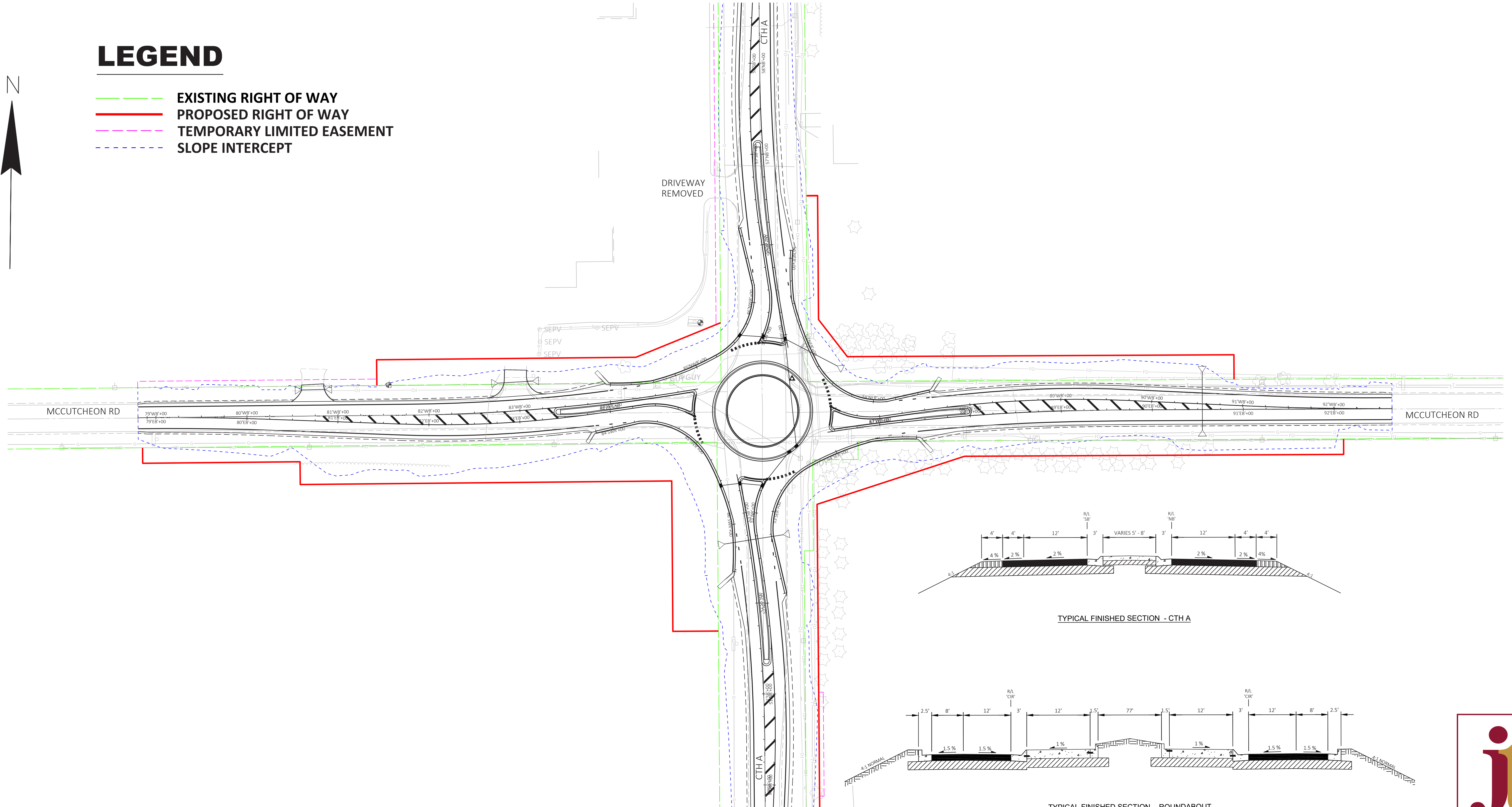
CTH A & McCUTCHEON ROAD

TOWN OF HUDSON, ST. CROIX COUNTY

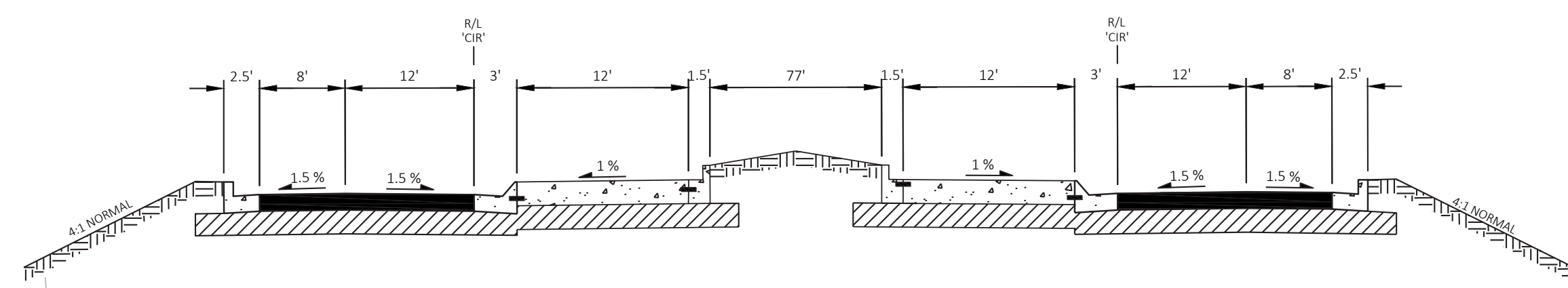
PROJECT 8944-04-01

LEGEND

- EXISTING RIGHT OF WAY
- PROPOSED RIGHT OF WAY
- TEMPORARY LIMITED EASEMENT
- SLOPE INTERCEPT



TYPICAL FINISHED SECTION - CTH A



TYPICAL FINISHED SECTION - ROUNDABOUT

